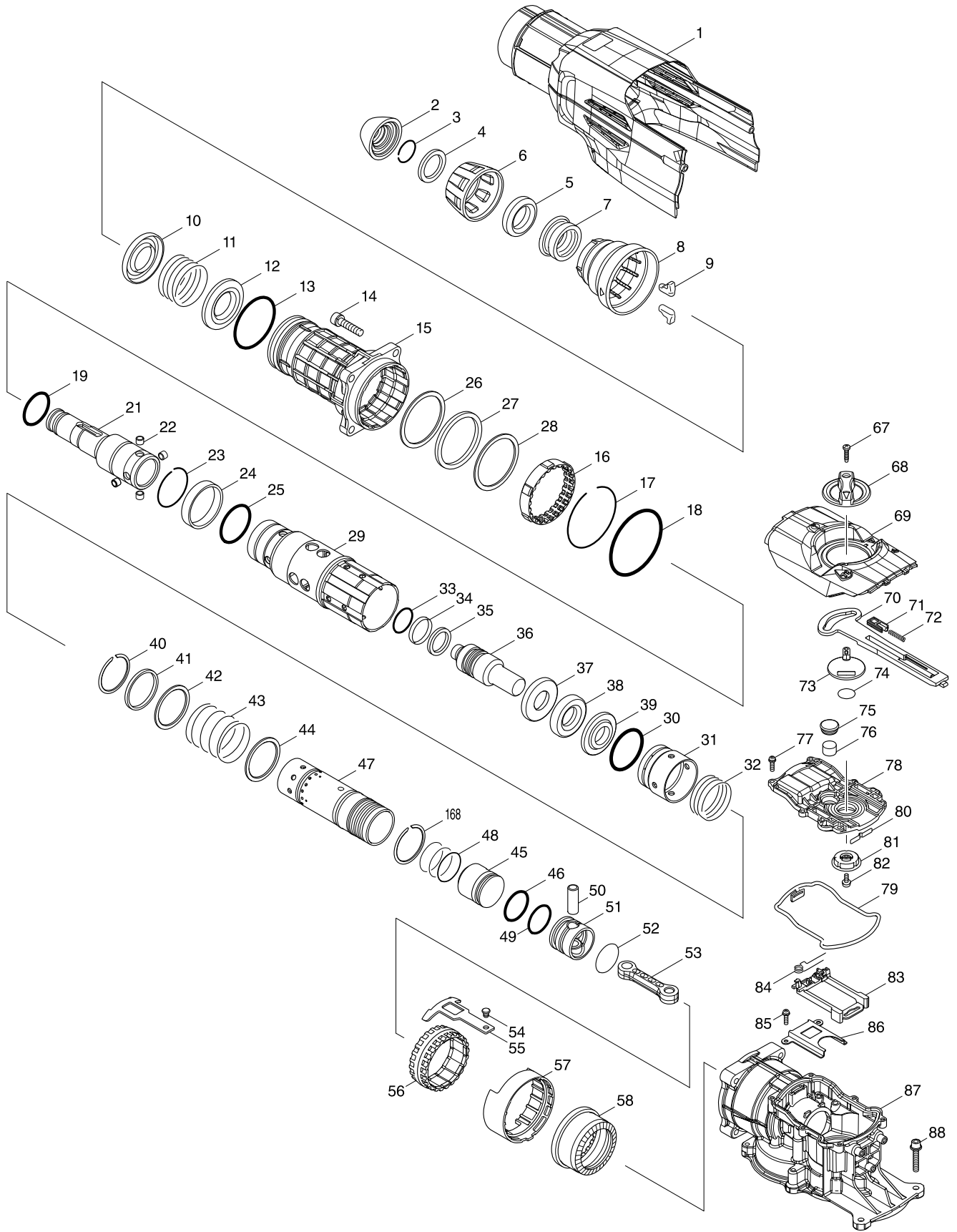
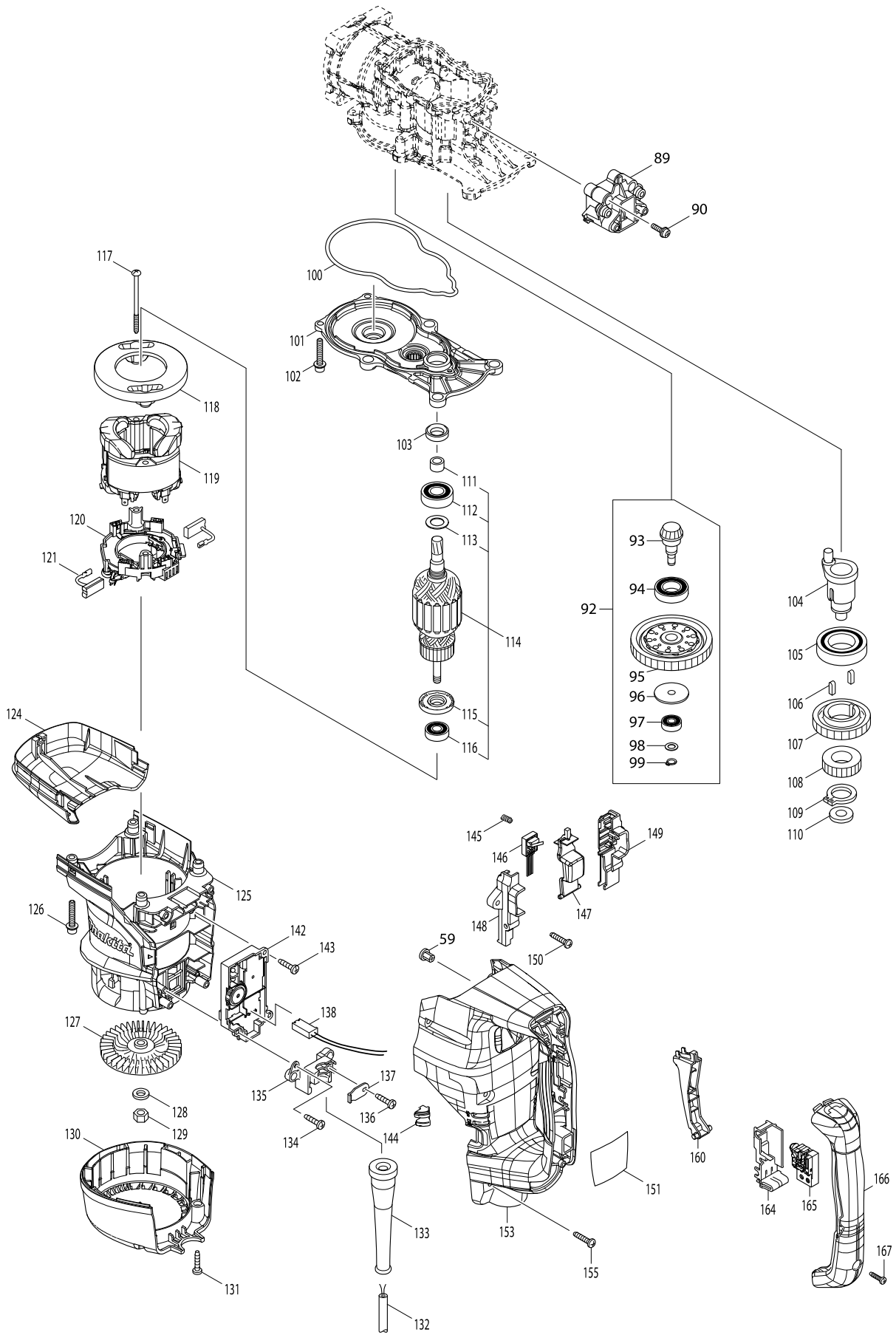


# Model HR5202C ROTARY HAMMER 52MM



# Model HR5202C ROTARY HAMMER 52MM



| Artykuł | Nr katalogowy | Opis                            | Zamla | Ilość | N/O | Sprzedaż | Zakup | Uwaga |
|---------|---------------|---------------------------------|-------|-------|-----|----------|-------|-------|
| 001     | 142412-2      | HOUSING COVER B COMPLETE        |       | 1     |     |          |       |       |
| C10     | 810100-6      | NAKLEJKA Z OSTRZEŻENIEM do HR40 |       | 1     |     | 1,20     |       |       |
| 002     | 286292-7      | POKRYWA UCHWYTU NARZĘDZIA do    |       | 1     |     | 0,00     |       |       |
| 003     | 233948-3      | PIERŚCIEŃ SPRĘŻYSTY do HR5211C  |       | 1     |     | 1,80     |       |       |
| 004     | 257367-9      | RING 28                         |       | 1     |     |          |       |       |
| 005     | 262172-1      | RUBBER RING 29                  |       | 1     |     |          |       |       |
| 006     | 454767-6      | CHUCK COVER                     |       | 1     |     |          |       |       |
| 007     | 324752-2      | PIERŚCIEŃ UCHWYTU NARZĘDZIA do  |       | 1     |     | 33,00    |       |       |
| 008     | 454768-4      | RELEASE COVER                   |       | 1     |     |          |       |       |
| 009     | 310178-4      | USTALACZ NARZEDZIA do HR5201/52 |       | 2     |     | 13,60    |       |       |
| 010     | 346751-4      | SPRING GUIDE                    |       | 1     |     |          |       |       |
| 011     | 234317-1      | COMPRESSION SPRING 49           |       | 1     |     |          |       |       |
| 012     | 346751-4      | SPRING GUIDE                    |       | 1     |     |          |       |       |
| 014     | 922456-6      | ŚRUBA IMBUSOWA M8x35            |       | 4     |     | 1,80     |       |       |
| 015     | 142408-3      | BARREL COMPLETE                 |       | 1     |     |          |       |       |
| C10     | 213663-5      | ORING                           |       | 1     |     | 5,40     |       |       |
| C20     | 213778-8      | OIL SEAL 42                     |       | 1     |     |          |       |       |
| C30     | 214603-6      | PLANE BEARING 49                |       | 1     |     |          |       |       |
| C40     | 259056-2      | RING SPRING 54                  |       | 1     |     |          |       |       |
| 016     | 454769-2      | LOCK SLEEVE                     |       | 1     |     |          |       |       |
| 017     | 259057-0      | RING SPRING 74                  |       | 1     |     |          |       |       |
| 018     | 213766-5      | O-RING 78 do HR5201/5211C       |       | 1     |     | 2,80     |       |       |
| 019     | 213789-3      | O-RING 38                       |       | 1     |     |          |       |       |
| 021     | 326361-3      | TOOL HOLDER A                   |       | 1     |     |          |       |       |
| 022     | 268308-0      | PIN 9                           |       | 4     |     |          |       |       |
| 023     | 231989-3      | PIERŚCIEŃ SPRĘŻYSTY 46 HM1202C  |       | 1     |     | 2,20     |       |       |
| 024     | 257353-0      | RING 49                         |       | 1     |     |          |       |       |
| 025     | 213779-6      | O-RING 45                       |       | 1     |     |          |       |       |
| 026     | 267477-4      | FLAT WASHER 60                  |       | 1     |     |          |       |       |
| 027     | 262171-3      | RUBBER RING 60                  |       | 1     |     |          |       |       |
| 028     | 267477-4      | FLAT WASHER 60                  |       | 1     |     |          |       |       |
| 029     | 326362-1      | TOOL HOLDER B                   |       | 1     |     |          |       |       |
| 030     | 213783-5      | O-RING 48                       |       | 1     |     |          |       |       |
| 031     | 454761-8      | SLIDE SLEEVE                    |       | 1     |     |          |       |       |
| 032     | 234318-9      | COMPRESSION SPRING 45           |       | 1     |     |          |       |       |
| 033     | 213811-6      | O-RING 26.5                     |       | 1     |     |          |       |       |
| 034     | 213780-1      | FLUORIDE RING 32.5              |       | 1     |     |          |       |       |
| 035     | 213776-2      | X-RING 26                       |       | 1     |     |          |       |       |
| 036     | 326374-4      | IMPACT BOLT                     |       | 1     |     |          |       |       |
| 037     | 257354-8      | RING 23                         |       | 1     |     |          |       |       |
| 038     | 262173-9      | RUBBER RING 24                  |       | 1     |     |          |       |       |
| 039     | 267856-6      | SHOULDER WASHER 23              |       | 1     |     |          |       |       |
| 040     | 257994-2      | RETAINING RING(EXT)WR-44        |       | 1     |     |          |       |       |
| 041     | 257355-6      | RING 44                         |       | 1     |     |          |       |       |
| 042     | 267478-2      | FLAT WASHER 44                  |       | 1     |     |          |       |       |
| 043     | 234319-7      | COMPRESSION SPRING 46           |       | 1     |     |          |       |       |
| 044     | 267478-2      | FLAT WASHER 44                  |       | 1     |     |          |       |       |
| 045     | 326377-8      | STRIKER                         |       | 1     |     |          |       |       |

| Artykuł | Nr katalogowy | Opis                                   | Zam.: | Ilość | N/O | Sprzedaż | Zakup | Uwaga |
|---------|---------------|--|-------|-------|-----|----------|-------|-------|
| 046     | 213781-9      | O-RING 33                              |       | 1     |     |          |       |       |
| 047     | 332093-2      | CYLINDER 40                            |       | 1     |     |          |       |       |
| 048     | 213460-9      | ORING                                  |       | 3     |     | 2,20     |       |       |
| 049     | 213782-7      | O-RING 30                              |       | 1     |     |          |       |       |
| 050     | 257820-5      | SLEEVE 9                               |       | 1     |     |          |       |       |
| 051     | 319097-1      | PISTON                                 |       | 1     |     |          |       |       |
| 052     | 213460-9      | ORING                                  |       | 1     |     | 2,20     |       |       |
| 053     | 454765-0      | CONNECTING ROD                         |       | 1     |     |          |       |       |
| 054     | 256548-2      | PIN 6 do HR4003C                       |       | 1     |     | 0,00     |       |       |
| 055     | 346749-1      | LINK PLATE                             |       | 1     |     |          |       |       |
| 056     | 313272-1      | DRIVING SLEEVE                         |       | 1     |     |          |       |       |
| 057     | 454779-9      | GUIDE RING                             |       | 1     |     |          |       |       |
| 058     | 227625-7      | SPIRAL BEVEL GEAR 33                   |       | 1     |     |          |       |       |
| 059     | 286255-3      | POKRYWKA 13 do DC24/14SC               |       | 2     |     | 1,20     |       |       |
| 067     | 265995-6      | (MKC) ŚRUBA 4x18                       |       | 1     |     | 1,20     |       |       |
| 068     | 454326-6      | DŹWIGNIA ZMIANY BIEGÓW do HR401        |       | 1     |     | 0,00     |       |       |
| 069     | 319082-4      | CRANK CAP COVER                        |       | 1     |     |          |       |       |
| 070     | 454770-7      | CONTROL PLATE                          |       | 1     |     |          |       |       |
| 071     | 454771-5      | SLIDE PLATE                            |       | 1     |     |          |       |       |
| 072     | 234284-0      | SPRĘŻYNA 4 do HR4013C                  |       | 1     |     | 0,00     |       |       |
| 073     | 454345-2      | DŹWIGNIA KORBOWODU do HR4013C          |       | 1     |     | 0,00     |       |       |
| 074     | 213262-3      | ORING                                  |       | 1     |     | 1,10     |       |       |
| 075     | 424607-2      | FILTER CAP                             |       | 1     |     |          |       |       |
| 076     | 443129-3      | FILTR do HR2810                        |       | 1     |     | 1,20     |       |       |
| 077     | 911128-8      | ŚRUBA                                  |       | 6     |     | 0,60     |       |       |
| 078     | 454764-2      | CRANK CAP                              |       | 1     |     |          |       |       |
| 079     | 424608-0      | SEAL RING B                            |       | 1     |     |          |       |       |
| 080     | 232280-2      | SPRĘŻYNA PŁASKA do HR4013C             |       | 1     |     | 0,00     |       |       |
| 081     | 454766-8      | LINK LEVER                             |       | 1     |     |          |       |       |
| 082     | 911511-9      | ŚRUBA M4x10 do HR4011C                 |       | 1     |     | 1,20     |       |       |
| 083     | 454778-1      | LINK GUIDE                             |       | 1     |     |          |       |       |
| 084     | 233611-8      | TORSION SPRING 7                       |       | 1     |     |          |       |       |
| 085     | 911128-8      | ŚRUBA                                  |       | 2     |     | 0,60     |       |       |
| 086     | 346748-3      | GUIDE RAIL                             |       | 1     |     |          |       |       |
| 087     | 142407-5      | CRANK HOUSING B COMPLETE               |       | 1     |     |          |       |       |
| 088     | 922359-4      | H.S.H.BOLT M6X35 WITH WG               |       | 2     |     |          |       |       |
| 089     | 454784-6      | BASE B                                 |       | 1     |     |          |       |       |
| 090     | 911233-1      | ŚRUBA                                  |       | 3     |     | 0,60     |       |       |
| 092     | 126476-4      | TORQUE LIMITER ASSEMBLY                |       | 1     |     |          |       |       |
| D10     |               | INC. 93-99                             |       |       |     |          |       |       |
| 093     | 227628-1      | SPIRAL BEVEL GEAR 10                   |       | 1     |     |          |       |       |
| 094     | 211323-3      | ŁOŻYSKO 6904                           |       | 1     |     | 51,90    |       |       |
| 095     | 142410-6      | TORQUE LIMITER COMPLETE                |       | 1     |     |          |       |       |
| 096     | 324727-1      | SHOULDER WASHER 8                      |       | 1     |     |          |       |       |
| 097     | 210005-4      | ŁOŻYSKO                                |       | 1     |     | 15,20    |       |       |
| 098     | 253215-0      | (zam. 253835-0 nie dotyczy zastosowani |       | 1     |     | 1,60     |       |       |
| 099     | 961004-6      | ZEGER                                  |       | 1     |     | 0,60     |       |       |
| 100     | 424609-8      | SEAL RING A                            |       | 1     |     |          |       |       |

| Artykuł | Nr katalogowy | Opis                               | Zam.: | Ilość | N/O | Sprzedaż | Zakup | Uwaga |
|---------|---------------|------------------------------------|-------|-------|-----|----------|-------|-------|
| 101     | 142409-1      | GEAR HOUSING COMPLETE              |       | 1     |     |          |       |       |
| 102     | 922359-4      | H.S.H.BOLT M6X35 WITH WG           |       | 2     |     |          |       |       |
| 103     | 213231-4      | USZCZELKA OLEJOWA 15 do HR4500C    |       | 1     |     | 16,80    |       |       |
| 104     | 326376-0      | CRANK SHAFT                        |       | 1     |     |          |       |       |
| 105     | 211418-2      | ŁOŻYSKO KULKOWE 6006LLU            |       | 1     |     | 35,70    |       |       |
| 106     | 254229-2      | KLIN 5 HR4000C                     |       | 2     |     | 2,20     |       |       |
| 107     | 227788-9      | HELICAL GEAR 46                    |       | 1     |     |          |       |       |
| 108     | 227336-4      | SPUR GEAR 26                       |       | 1     |     |          |       |       |
| 109     | 961102-6      | PIERŚCIEŃ SEGERA S-22 do 5500S     |       | 1     |     | 1,80     |       |       |
| 110     | 253843-1      | PODKŁADKA                          |       | 1     |     | 4,10     |       |       |
| 111     | 331596-3      | TULEJA 12 do HR4500C               |       | 1     |     | 15,20    |       |       |
| 112     | 211238-4      | ŁOŻYSKO KULKOWE 6202LLU            |       | 1     |     | 20,60    |       |       |
| 113     | 267215-4      | PODKŁADKA do BT200S                |       | 1     |     | 2,20     |       |       |
| 114     | 517898-3      | ARMATURE ASS'Y 220-240V            |       | 1     |     |          |       |       |
| D10     |               | INC. 111-113,115,116               |       |       |     |          |       |       |
| 115     | 681642-5      | PODKŁADKA IZOLUJĄCA                |       | 1     |     | 23,30    |       |       |
| 116     | 210059-1      | (zam. 211289-7) ŁOŻYSKO KULKOWE    |       | 1     |     | 15,20    |       |       |
| 117     | 266568-8      | ŚRUBA 5x80 do HM1101/1111C         |       | 2     |     | 0,00     |       |       |
| 118     | 454772-3      | BAFFLE PLATE                       |       | 1     |     |          |       |       |
| 119     | 636303-2      | STOJAN do HR5201/5211C             |       | 1     |     | 63,20    |       |       |
| 120     | 632B59-7      | BRUSH HOLDER UNIT                  |       | 1     |     |          |       |       |
| 121     | 195844-2      | SZCZOTKI WĘGLOWE CB-175 do HR5202C |       | 1     |     | 10,80    |       |       |
| 124     | 454763-4      | GEAR HOUSING COVER                 |       | 1     |     |          |       |       |
| 125     | 454757-9      | MOTOR HOUSING                      |       | 1     |     |          |       |       |
| 126     | 922359-4      | H.S.H.BOLT M6X35 WITH WG           |       | 2     |     |          |       |       |
| 127     | 240016-5      | WENTYLATOR                         |       | 1     |     | 20,60    |       |       |
| 128     | 253165-9      | (zam. 267321-5) PODKŁADKA 6710DW   |       | 1     |     | 1,80     |       |       |
| 129     | 252178-7      | NAKRĘTKA M8-12 do 4112             |       | 1     |     | 1,20     |       |       |
| 130     | 454762-6      | REAR COVER                         |       | 1     |     |          |       |       |
| 131     | 266041-8      | ŚRUBA 5x25                         |       | 2     |     | 1,70     |       |       |
| 132     | 695123-3      | (zam. 665638-4) KABEL ZASILAJĄCY   |       | 1     |     | 39,50    |       |       |
| 133     | 682560-0      | OSŁONA KABLA                       |       | 1     |     | 5,40     |       |       |
| 134     | 265995-6      | (MKC) ŚRUBA 4x18                   |       | 1     |     | 1,20     |       |       |
| 135     | 419024-9      | UCHWYT PRZEWODU ZASILAJĄCEGO       |       | 1     |     | 2,80     |       |       |
| 136     | 265995-6      | (MKC) ŚRUBA 4x18                   |       | 1     |     | 1,20     |       |       |
| 137     | 687169-3      | (MMR) ZACISK PRZEWODU ZASILAJĄCEGO |       | 1     |     | 1,20     |       |       |
| 138     | 632C15-3      | LEAD UNIT                          |       | 1     |     |          |       |       |
| 142     | 620251-5      | CONTROLLER                         |       | 1     |     |          |       |       |
| 143     | 265995-6      | (MKC) ŚRUBA 4x18                   |       | 1     |     | 1,20     |       |       |
| 144     | 454346-0      | SZKIEŁKO do HR4013C                |       | 1     |     | 0,00     |       |       |
| 145     | 234281-6      | COMPRESSION SPRING 6               |       | 1     |     |          |       |       |
| 146     | 632A83-4      | WŁĄCZNIK do HR4013C                |       | 1     |     | 0,00     |       |       |
| 147     | 454336-3      | SWITCH LEVER C                     |       | 1     |     |          |       |       |
| 148     | 187890-9      | SWITCH CASE SET                    |       | 1     |     |          |       |       |
| D10     |               | INC. 149                           |       |       |     |          |       |       |
| 149     | 187890-9      | SWITCH CASE SET                    |       | 1     |     |          |       |       |
| D10     |               | INC. 148                           |       |       |     |          |       |       |
| 150     | 266041-8      | ŚRUBA 5x25                         |       | 2     |     | 1,70     |       |       |

| Artykuł | Nr katalogowy | Opis                               | Zamów | Ilość | N/O | Sprzedaż | Zakup | Uwaga |
|---------|---------------|------------------------------------|-------|-------|-----|----------|-------|-------|
| 151     | 815W32-0      | HR5202C NAME PLATE                 |       | 1     |     |          |       |       |
| 153     | 454782-0      | HANDLE B                           |       | 1     |     |          |       |       |
| 155     | 266041-8      | ŚRUBA 5x25                         |       | 6     |     | 1,70     |       |       |
| 160     | 454333-9      | DŹWIGNIA WŁĄCZNIKA B do HR4013C    |       | 1     |     | 0,00     |       |       |
| 164     | 154626-1      | UCHWT WYŁĄCZNIKA do HR4011C        |       | 1     |     | 5,40     |       |       |
| 165     | 650678-5      | WŁĄCZNIK                           |       | 1     |     | 0,00     |       |       |
| 166     | 454760-0      | HANDLE COVER                       |       | 1     |     |          |       |       |
| 167     | 265995-6      | (MKC) ŚRUBA 4x18                   |       | 1     |     | 1,20     |       |       |
| 168     | 257994-2      | RETAINING RING(EXT)WR-44           |       | 1     |     |          |       |       |
| A01     | 135283-4      | UCHWYT BOCZNY PAŁĄKOWY do HM1      |       | 1     |     | 135,00   |       |       |
| C10     | 252640-2      | POKRĘTŁO UCHWYTU M8 HM1100/C/I     |       | 1     |     | 13,50    |       |       |
| C20     | 265439-6      | ŚRUBA 8X150 HM1100/HM1200          |       | 1     |     | 4,10     |       |       |
| C30     | 318430-4      | BAZA RĘKOJEŚCI 90A do HM1214C      |       | 1     |     | 23,40    |       |       |
| C40     | 318431-2      | BAZA RĘKOJEŚCI 90B do HM1214C      |       | 1     |     | 20,60    |       |       |
| C50     | 417002-3      | KRZYWKA UCHWYTU BOCZNEGO HM        |       | 2     |     | 5,40     |       |       |
| C60     | 417003-1      | UCHWYT BOCZNY HM1202C              |       | 1     |     | 35,70    |       |       |
| C70     | 951166-8      | SWORZEŃ                            |       | 1     |     | 1,60     |       |       |
| A02     | 135629-4      | SIDE GRIP ASSEMBLY                 |       | 1     |     |          |       |       |
| C10     | 158131-0      | UCHWYT BOCZNY do HR5211C/HR45C     |       | 1     |     | 31,31    |       |       |
| C20     | 234226-4      | COMPRESSION SPRING 6               |       | 1     |     |          |       |       |
| C30     | 266163-4      | ŚRUBA M8X80 HR4000C                |       | 1     |     | 6,50     |       |       |
| C40     | 313223-4      | RACK GUIDE                         |       | 1     |     |          |       |       |
| C50     | 344492-6      | PŁYTKA HR4000C                     |       | 1     |     | 4,10     |       |       |
| C60     | 346750-6      | GRIP SPRING 90                     |       | 1     |     |          |       |       |
| C70     | 453114-8      | LOCK BUTTON                        |       | 1     |     |          |       |       |
| C80     | 454781-2      | SIDE GRIP BASE 90                  |       | 1     |     |          |       |       |
| A03     | 194683-7      | (12) SMAR DO WIERTEŁ I DŁUT (19468 |       | 1     |     | 14,30    |       |       |
| A04     | 196552-8      | PLASTIC CASE SET                   |       | 1     |     |          |       |       |
| C10     | 162271-8      | ZATRZASK WALIZKI do HM1213C        |       | 2     |     | 1,80     |       |       |
| C20     | 837860-5      | INNER TRAY                         |       | 1     |     |          |       |       |
| C30     | 801Y02-7      | INDICATION LABEL                   |       | 1     |     |          |       |       |
| A05     | 804K57-7      | HR5202C PLASTIC CASE LABEL         |       | 2     |     |          |       |       |
| A06     | 331955-1      | DEPTH GAUGE                        |       | 1     |     |          |       |       |
| A07     | 443122-7      | SZMATKA DO CZYSZCZENIA do HR/HI    |       | 1     |     | 4,20     |       |       |
|         |               |                                    |       |       |     |          |       |       |
|         |               |                                    |       |       |     |          |       |       |
|         |               |                                    |       |       |     |          |       |       |
|         |               |                                    |       |       |     |          |       |       |
|         |               |                                    |       |       |     |          |       |       |
|         |               |                                    |       |       |     |          |       |       |
|         |               |                                    |       |       |     |          |       |       |
|         |               |                                    |       |       |     |          |       |       |
|         |               |                                    |       |       |     |          |       |       |
|         |               |                                    |       |       |     |          |       |       |
|         |               |                                    |       |       |     |          |       |       |
|         |               |                                    |       |       |     |          |       |       |
|         |               |                                    |       |       |     |          |       |       |
|         |               |                                    |       |       |     |          |       |       |
|         |               |                                    |       |       |     |          |       |       |