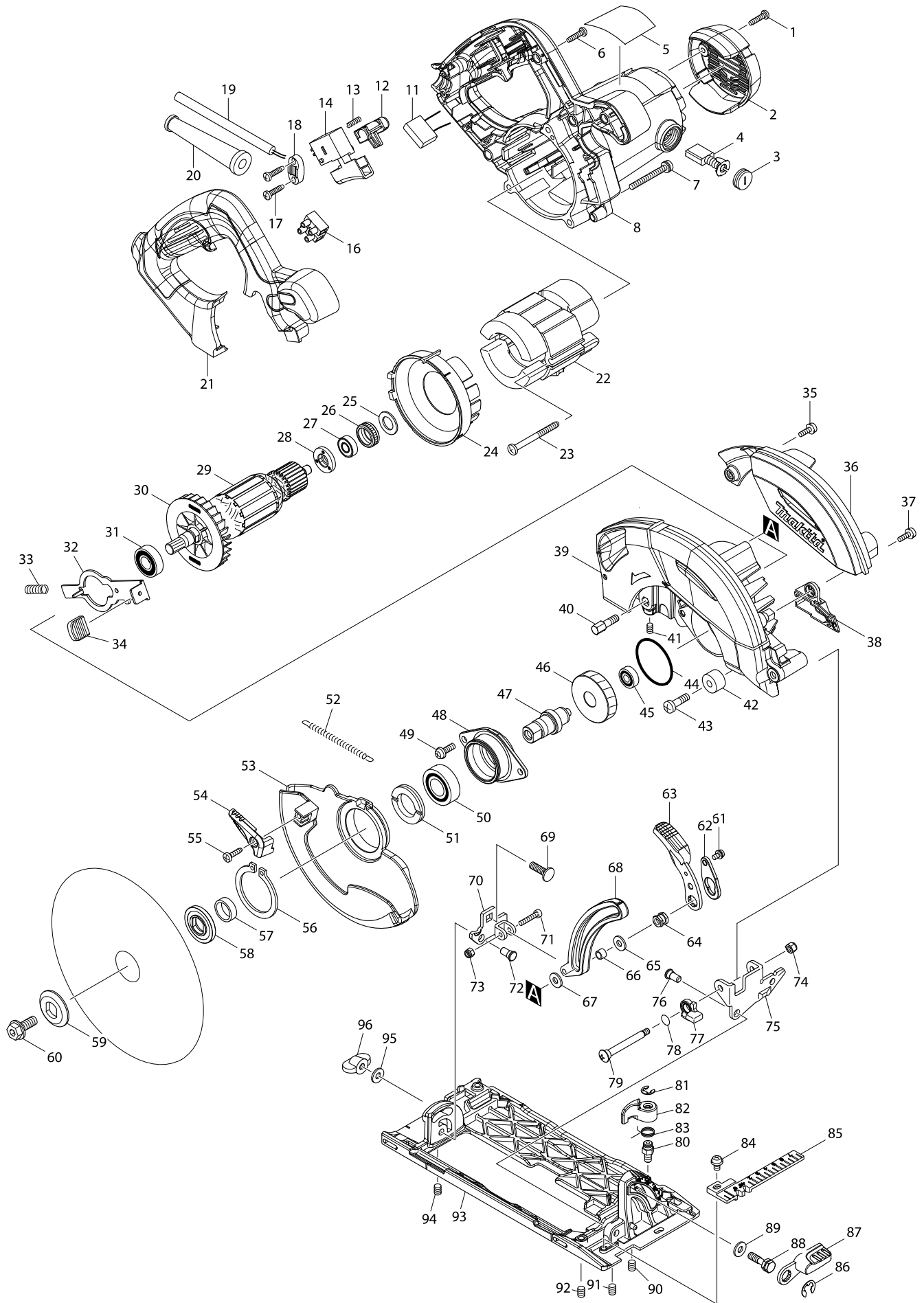


Model HS6100 165MM CIRCULAR SAW



Model HS6100 165MM CIRCULAR SAW

Artykuł	Nr katalogowy	Opis	Zamła	Ilość	N/O	Sprzedaż	Zakup	Uwaga
001	265995-6	TAPPING SCREW 4X18		2		1,20		
002	453288-5	REAR COVER		1				
003	643650-4	BRUSH HOLDER CAP 6.5-13.5		2		2,20		
004	196018-8	CARBON BRUSH SET CB-174		1	*	10,80		
004-1	196018-8	CARBON BRUSH SET CB-174	<	1		10,80		
005	896693-7	HS6100 NAME PLATE		1				
006	265995-6	TAPPING SCREW 4X18		5		1,20		
007	911268-2	PAN HEAD SCREW M5X45		3		1,10		
008	141313-1	MOTOR HOUSING COMPLETE		1				
C10	643653-8	BRUSH HOLDER 6.5-13.5		2		12,50		
011	645200-1	NOISE SUPPRESSOR		1		12,60		
012	453284-3	LOCK OFF BUTTON		1				
013	231469-9	COMPRESSION SPRING 4		1		1,20		
014	650245-6	SWITCH SGE115CDY-10		1				
016	654532-5	TERMINAL BLOCK 1P		1		4,10		
017	265995-6	TAPPING SCREW 4X18		2		1,20		
018	687052-4	STRAIN RELIEF		1		1,70		
019	665890-4	POWER SUPPLY CORD 1.0-2-4.0		1		38,50		
020	682540-6	CORD GUARD 9.3-90		1		4,10		
021	453282-7	HANDLE COVER		1				
022	525863-8	FIELD ASS'Y 220-240V		1				
C10	654020-2	RING TERMINAL		2		1,10		
C20	654502-4	CONNECTOR P-2		2		0,60		
023	266095-5	TAPPING SCREW 5X55		2		4,10		
024	453283-5	BAFFLE PLATE		1		0,00		
025	261103-7	RUBBER WASHER 13		1		1,20		
026	421479-6	RUBBER RING 19		1		13,50		
027	210016-9	BALL BEARING 698ZZ		1		15,20		
028	681654-8	INSULATION WASHER		1		1,70		
029	513843-6	ARMATURE ASS'Y 220V		1				
D10		INC. 27,28,30,31						
030	240133-1	FAN 70		1				
031	211131-2	BALL BEARING 6001DDW		1		30,30		
032	346547-3	SHAFT LOCK		1				
033	233429-7	COMPRESSION SPRING 7		1		0,60		
034	286275-7	CAP		1		0,60		
035	911118-1	PAN HEAD SCREW M4X12		1		0,60		
036	453292-4	BLADE COVER		1				
037	911118-1	PAN HEAD SCREW M4X12		1		0,60		
038	453290-8	DUCT		1				
039	141314-9	BLADE CASE COMPLETE		1				
040	265594-4	HEX.BOLT M6X18		1				
041	266229-0	H.S.SET SCREW(CUP POINT)M5X8		1		1,20		
042	262552-1	RUBBER SLEEVE 6		1		2,80		
043	251247-1	+ PAN HEAD SCREW M6X20		1		0,60		
044	213560-5	O RING 44		1		5,40		
045	211022-7	BALL BEARING 607ZZ		1		13,50		
046	227755-4	HELICAL GEAR 40		1				

Model HS6100 165MM CIRCULAR SAW

Artykuł	Nr katalogowy	Opis	Zam.:	Ilość	N/O	Sprzedaż	Zakup	Uwaga
047	326127-1	SPINDLE		1		0,00		
048	318820-1	BEARING BOX		1		0,00		
049	911223-4	PAN HEAD SCREW M5X16		2		0,60		
050	211275-8	BALL BEARING 6003DDW		1		35,70		
051	285848-3	BEARING RETAINER 23-36		1		2,20		
052	231878-2	TENSION SPRING 4		1				
053	318826-9	SAFETY COVER		1				
054	272271-1	LEVER 37		1		0,00		
055	266034-5	TAPPING SCREW CT 4X16		1		1,10		
056	961201-4	RETAINING RING S-42		1		4,10		
057	257279-6	RING 17		1		1,20		
058	224412-5	INNER FLANGE 35		1	*	2,80		
058-1	224473-5	INNER FLANGE 35	O	1				
059	224409-4	OUTER FLANGE 35		1		4,20		
060	266283-4	HEX. SOCKET HEX. BOLT M8X20		1		4,20		
061	911108-4	PAN HEAD SCREW M4X8		1		0,60		
062	453362-9	LOCK PLATE		1				
063	272273-7	LEVER 70		1				
064	264071-3	HEX. NUT M6		1				
065	267100-1	FLAT WASHER 6		1		3,10		
066	257669-3	SLEEVE 6		1		1,20		
067	267100-1	FLAT WASHER 6		1		3,10		
068	141315-7	DEPTH GUIDE COMPLETE		1				
069	251919-8	CAP SQUARE NECK BOLT M6X20		1		1,10		
070	165670-3	REAR ANGULAR GUIDE		1		0,00		
071	922137-2	HEX. SOCKET HEAD BOLT M4X20		1		0,60		
072	256480-0	SHOULDER PIN 6-7		1		0,60		
073	252126-6	HEX. LOCKING NUT M4-7		1		0,00		
074	252103-8	HEX. LOCK NUT M5-8		1		1,70		
075	345590-9	ANGULAR GUIDE		1		7,20		
076	256480-0	SHOULDER PIN 6-7		1		0,60		
077	318823-5	STOPPER		1				
078	213062-1	O RING 9		1		1,60		
079	266734-7	+ TRUSS HEAD SCREW M5		1		0,00		
080	265571-6	HEX. BOLT M6X10		2		5,40		
081	961012-7	STOP RING E-6		2		0,60		
082	453165-1	LOCK LEVER		2		18,00		
083	233596-8	TORSION SPRING 11		2		1,20		
084	911203-0	PAN HEAD SCREW M5X8		1		1,20		
085	453291-6	TOP GUIDE		1				
086	257982-9	BOW STOP RING E-8		1				
087	272272-9	LEVER 45		1				
088	266735-5	HEX. BOLT M6X20		1				
089	267100-1	FLAT WASHER 6		1		3,10		
090	266208-8	H.S.SET SCREW(CUP POINT)M6X8		1		1,20		
091	266208-8	H.S.SET SCREW(CUP POINT)M6X8		1		1,20		
092	266208-8	H.S.SET SCREW(CUP POINT)M6X8		1		1,20		
093	318825-1	BASE		1				

